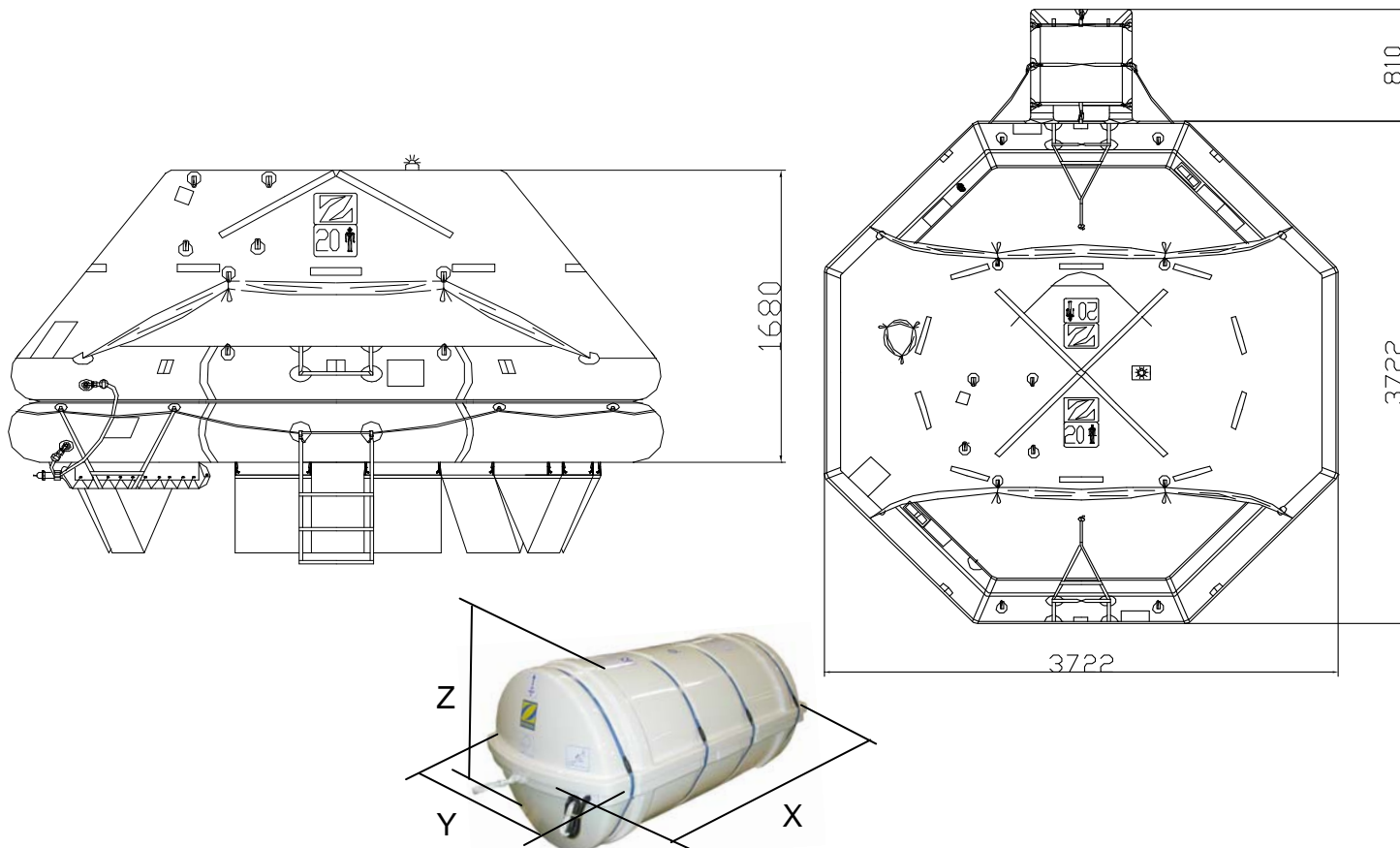
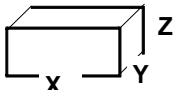


20 MAN THROW OVER BOARD LIFERAFT ROUND CONTAINER SOLAS A & B PACK



20 MAN	A PACK			B PACK		
Container	N15			N13		
Dimensions	X: 1275 mm	Y: 800 mm	Z: 740 mm	X: 1275 mm	Y: 610 mm	Z: 590 mm
	X: 4' 2,2"	Y: 2' 7,5"	Z: 2' 5,14"	X: 4' 2,2"	Y: 2' 0,02"	Z: 1' 11,23"
Liferaft Net Weight	150 kg / 331 pounds			92 kg / 203 pounds		
Height storage	25 m / 83'		36 m / 119'	25 m / 83'		36 m / 119'
Painter line length	35 m / 115'		50 m / 165'	35 m / 115'		50 m / 165'
Inflation Cylinder	1 x 15 liter					

 Crate	X: 1360 mm	Y: 840 mm	Z: 900 mm	X: 1360 mm	Y: 650 mm	Z: 740 mm
	X: 4' 5,55"	Y: 2' 9,08"	Z: 2' 11,44"	X: 4' 5,55"	Y: 2' 1,6"	Z: 2' 5,14"
	185 kg / 408 pounds			119 kg / 263 pounds		
	1,029 m3 / 36,31 cubic foot			0,655 m3 / 23,1 cubic foot		

Towing force	2 knots	3 knots
Without sea anchor	82 daN	100 daN
With sea anchor	90 daN	140 daN

Approvals:	EC (MED) – USCG – TC – RMRS – BV – CCS
-------------------	---

20 TO cont rond 18012012 KLT.doc	Issue: 6	Date: 18/01/2012
----------------------------------	----------	------------------

Dimensions and weight +/- 5%
 SURVITEC SAS reserves the right to change specification without notice.
 For installation, add minimum +10mm for clearance to dimensions of the container.